



# GERBER

## 98-698 98-699

### Compression Cartridge

#### Features:

- Compression cartridge
- 17 mm diameter
- Metal housing
- Meet CA AB 1953 requirements
- Hot or cold marking separately

#### Standards & Certifications:

- NSF 61
- CA AB 1953

#### Catalog Numbers:

**98-698** Compression cartridge cold side

**98-699** Compression cartridge hot side

#### Prefixes Available:

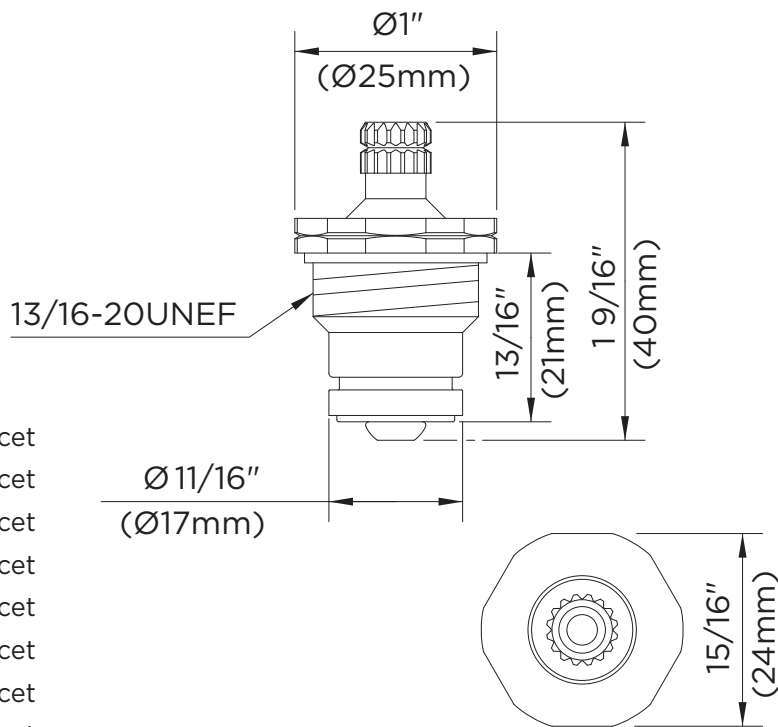
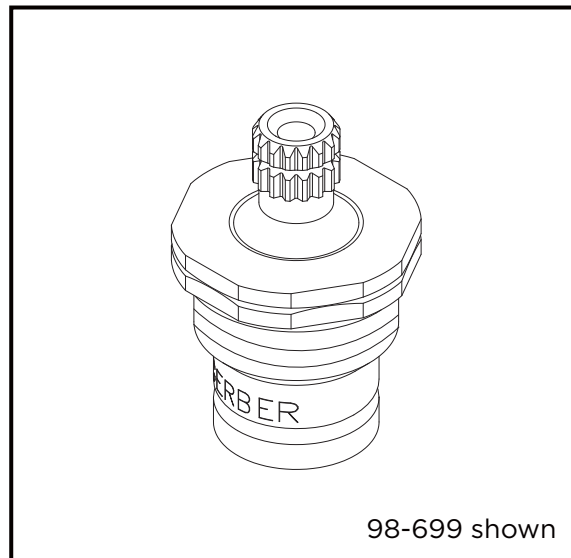
None

#### Suffixes Available:

None

#### Used in Faucet:

- 42-136** Gerber Classics two handle kitchen faucet
- 42-236** Gerber Classics two handle kitchen faucet
- 42-426** Gerber Classics two handle kitchen faucet
- 42-526** Gerber Classics two handle kitchen faucet
- 42-630** Gerber Classics two handle kitchen faucet
- 42-631** Gerber Classics two handle kitchen faucet
- 42-690** Gerber Classics two handle kitchen faucet
- 42-691** Gerber Classics two handle kitchen faucet
- 43-411** Gerber Classics two handle lavatory faucet
- 43-413** Gerber Classics two handle lavatory faucet
- 43-431** Gerber Classics two handle lavatory faucet
- 43-432** Gerber Classics two handle lavatory faucet
- 43-071** Gerber Classics two handle lavatory faucet



Job Name	
Date	
Model Specified	
Quantity	
Customer	
Contractor	
Architect/engineer	

Gerber Toll Free Technical Support: 888-648-6466  
www.gerberonline.com