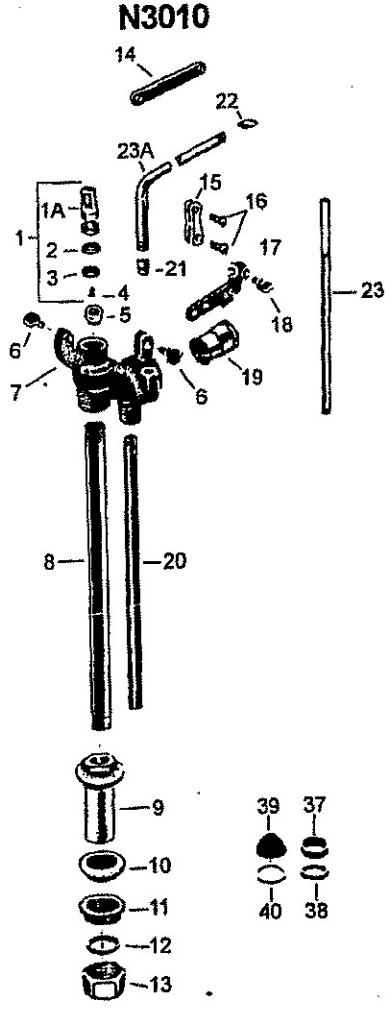
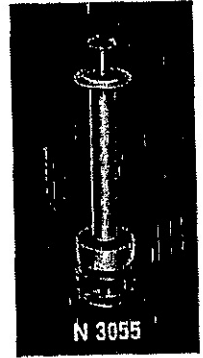


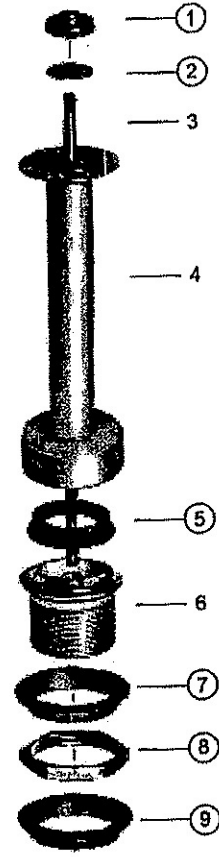
MODELS 4050, 4054

- 1. AS N3010: Brass Bailcock
- 2. AS N3055: Old style flush valve (no longer available)
Use AS 47088-0700 new style flush valve with trip lever.
- 3. AS N3075: Tank lever (no longer available)
(use AS 70437-0200 - 4" - plastic arm tank lever included in 47088-0700 flush valve) See Note
- 4. AS 47018-0200: 2" x 4" x 6" Elbow Tank Connection

Note: The 70437-0200 will not work with the N3055. It will only work with the 47088-0700.

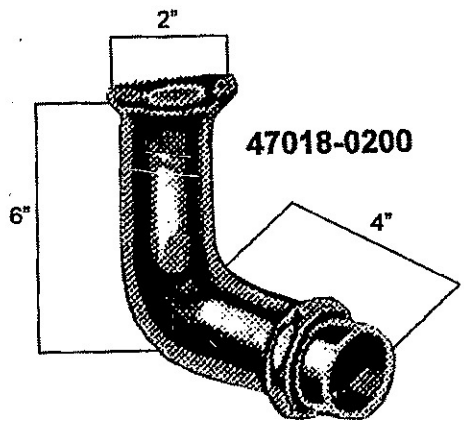


| No. | DESCRIPTION | PART NUMBER |
|-----|--|-------------|
| 1 | Plunger S/A (includes #1-4) | 8339-07 |
| 1A | Plunger ** KIT ONLY ** | 33246-07 |
| 2 | "U" Cup | 1853-07 |
| 3 | Seal Washer | 233-17 |
| 4 | Screw | 190-07 |
| 5 | Seal (nylon) | 1852-07 |
| 6 | Thumb Screw | 557-17 |
| 7 | Body ** KIT ONLY ** | 33259-07 |
| 8 | Shank Extension 7.57 Long ** KIT ONLY ** | 33263-07 |
| 9 | Shank | 32974-07 |
| 10 | Shank Washer | 1028-07 |
| 11 | Locknut | 11393-07 |
| 12 | Coupling Washer | 125-07 |
| 13 | Coupling Nut | 228-47 |
| 14 | Plunger Lever | 33104-07 |
| 15 | Link | 1085-27 |
| 16 | Rivet | 1008-17 |
| 17 | Rod Lever | 32454-07 |
| 18 | Thumb Screw | 658-07 |
| 19 | Volume Control S/A | 10755-07 |
| 20 | Hush Tube 6.94 Long ** KIT ONLY ** | 33249-07 |
| 21 | Adaptor ** KIT ONLY ** | 30081-07 |
| 22 | Cup | 72989-07 |
| 23 | Float Rod 8 1/2" Long | 33230-0070A |
| 23A | Reel Tube | 72541-0070A |
| 37 | 3/8" S.P.S. S.J. Washer | 117-07 |
| 38 | 3/8" S.P.S. S.J. Friction Washer | 359-07 |
| 39 | 1/2" O.D. S.J. Washer | 411-37 |
| 40 | 1/2" O.D. S.J. Friction Washer | 73036-07 |
| | Lever Assembly (includes #14 - 17) | 10740-07 |



| No. | DESCRIPTION | PART NUMBER |
|-----|-----------------------------|-------------|
| 1 | Grommet | 73059-07 |
| 2 | Stop | 73059-07 |
| 3 | Guide Tube - 11 9/16" Long | 73054-07 |
| | Guide Tube - 12 5/16" Long | 73055-07 |
| | Guide Tube - 13 3/16" Long | 73056-07 |
| | Guide Tube - 14 11/16" Long | 73057-07 |
| 4 | Float S/A - 9 1/32" Long | 73060-07 |
| | Float S/A - 9 25/32" Long | 73061-07 |
| | Float S/A - 10 21/32" Long | 73062-07 |
| | Float S/A - 12 5/32" Long | 73063-07 |
| 5 | Seal | 73069-07 |
| 6 | Body | 73050-07 |
| 7 | Washer | 1039-07 |
| 8 | Lock Nut | 73217-07 |
| 9 | Washer - Soft Washer | 73216-07 |
| | Washer - Hard Washer | 1039-07 |

*Circled parts still available



Flush Valve
3157.014
47088-07

Replaces N3055
(old style)

