

FLAT TOP STRAINER



The Right Choice...

TECHNICAL DATA



PART#
30031

FINISH
CHROME

DESCRIPTION:

Stainless Steel Flat Top Strainer

CONSTRUCTION:

Stainless Steel - Die-cast Locknut - Rubber Locknut Washer - Brass Slip-joint Nut Polyethylene Slip-joint Washer

FINISH:

Chrome

PACKAGING:

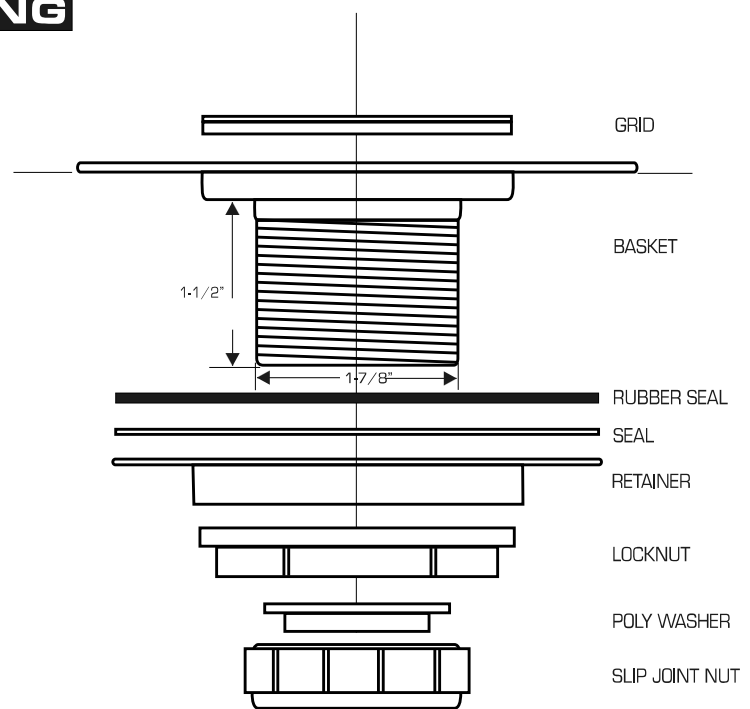
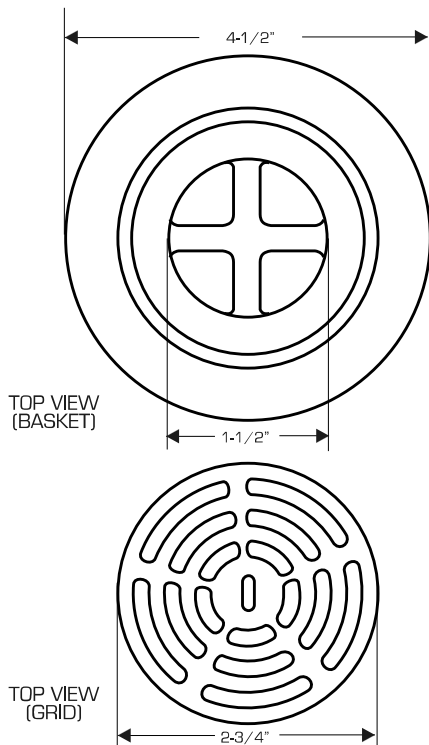
Boxed
Inner carton: 10
Master carton: 50

BRAND: EZ-FLO



Country of origin: Taiwan

ROUGH IN DRAWING



ALL DIMENSIONS SHOWN ARE NOMINAL