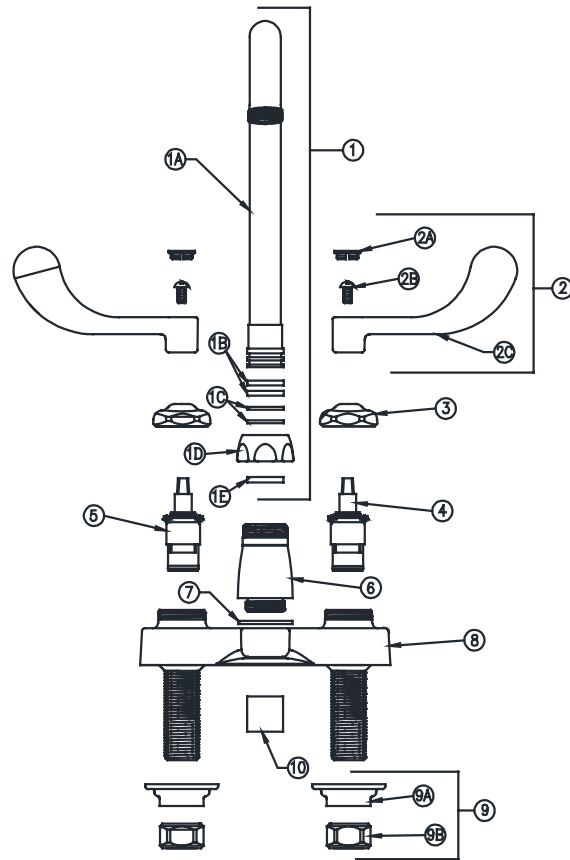


## Z812A4-XL PICTURED



Item	Part Number	Description	Qty.
1	G67851	3-1/2" Centerline Gooseneck 'A' Spout Assembly	1
1A	92866001	3-1/2" Centerline Gooseneck Spout	1
1B	58155018	O-Rings	2
1C	59666001	Plastic Split Washers (Swing)	2
1D	59435001	Spout Nut	1
1E	59436001	Spacer Washer (Rigid)	1
2	GP68091	4" [102mm] Vandal-Resistant Metal Wrist Blade Handles	1
2A	G60500	Hot/Cold Color-Coded Indexes	1
	59454001	Hot Index	1
	59454002	Cold Index	1
2B	62464001	10-32 Screw	2
2C	59453001	Wrist Blade Handle	2
3	59440001	Handle Nut	2
4	59517005	Short Cold Cartridge	1
5	59517006	Short Hot Cartridge	1
6	60467005	Base	1
7	58155019	O-Ring	1
8	60454004	4" Centerset Gooseneck Body XL	1
9	GP60502	Mounting Hardware	1
9A	G68042	Mounting Nut	1
9B	G68043	1/2" NPSM Riser Nut	1
10	G63504	3/4"-27 Female Aerator - 2.2 GPM [8.3 L]	1

Rev. F | Date: 11/21/22 | C.N. No. 144877 | Prod./Dwg. No. CF1170

Patent [zurn.com/patents](http://zurn.com/patents)

US 1.855.ONE.ZURN CANADA 1.877.892.5216

[ZURN.COM](http://ZURN.COM)

by **ZURN ELKAY** Water Solutions