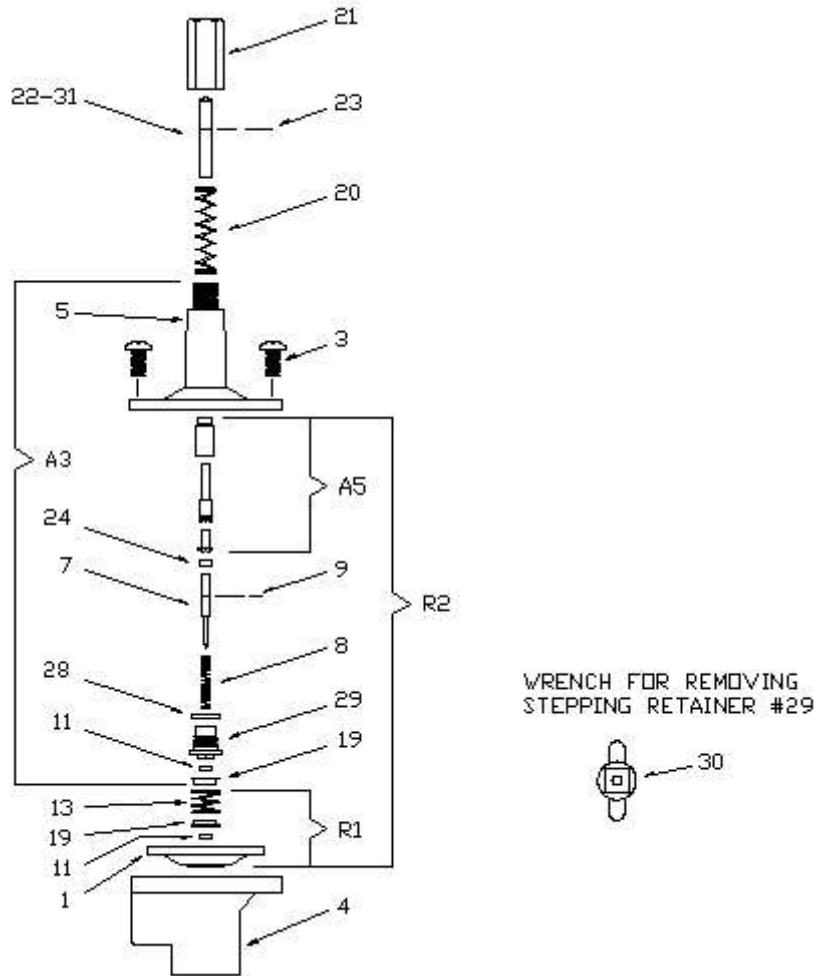


**Model 415**

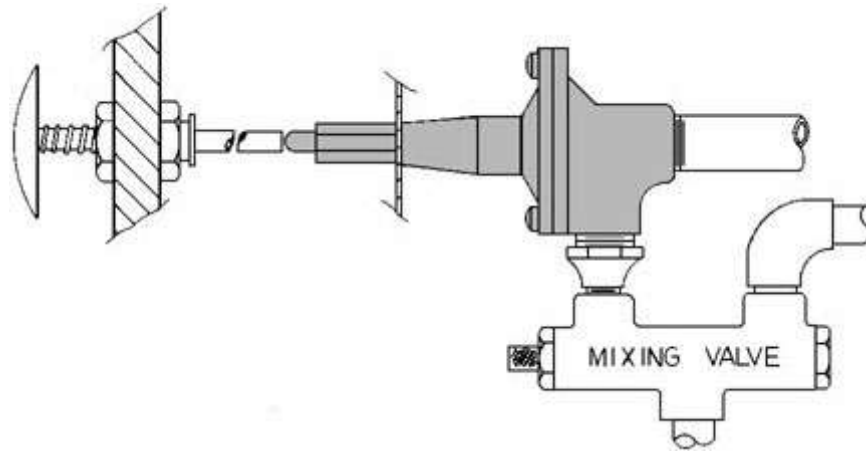


**Model 415 Repair Kit**



<b>Part #</b>	<b>Part Name:</b>
A1	Model 415 Water Control Valve
A3	Cover Assembly
A5	Stepping Mechanism
R1	Repair Kit (3 pcs) *
R2	Repair Kit (15 pcs)
1	Diaphragm with "O" Ring
3	Screw
4	Valve Housing
5	Cover (bronze casting only)
7	Control Rod

- 8 Control Rod Spring
- 9 'E' Ring
- 11 'O' Ring
- 13 Diaphragm Spring
- 19 'O' Ring Retainer
- 20 Spring
- 21 Cap
- 22 Rod (Standard)
- 23 'E' Ring
- 24 Spacer
- 28 'O' Ring
- 29 Stepping Retainer
- 30 Removal & Insertion Tool for Retainer (29)
- 31 Rod (AMSCO SPECS-Nickel Plate +1/8")



**HIGHLAND LABS, INC.**  
163 Woodland Street  
Holliston, MA 01746  
508-429-2918 Fax 508-429-6283