

**METERING  
PILLAR TAP FAUCET**

Thank you for selecting American-Standard...the benchmark of fine quality for over 140 years.

To ensure that your installation proceeds smoothly--please read these instructions carefully before you begin.

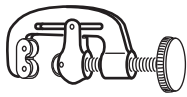
- 1340.105
- 1340M.105
- 1340.109
- 1340M.109
- 1340.107
- 1340M.107
- 1340.119
- 1340M.119



Certified to comply with ANSI A112.18.1M

M968497 REV.1.8 (3/21)

Recommended Tools



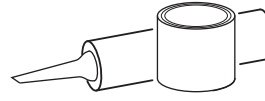
Tubing Cutter



Channel Locks



Adjustable Wrench



Plumbers' Putty or Caulking



2.5mm Hex Wrench



Hook

**1 FAUCET INSTALLATION (With optional 4" Deck Plate)**

**CAUTION** Turn off hot and cold water supplies before beginning.

Note: Faucet can be installed as single hole installation or with (OPTIONAL) 4" or 8" DECK PLATES. 4" No. 605P400 & 8" No. 605P800 Deck Plates must be ordered separately.

- Install SEAL (1) into base of FAUCET (2). Assemble Optional DECK PLATE (3), and PUTTY PLATE (4) to FAUCET BODY (2) with SCREW (5). Apply a bead of putty to underside of PUTTY PLATE (4). Fig. 1a.
- Insert FLEX HOSE (6) and SPOUT SHANK (7) through center hole of mounting surface. Fig. 1a.
- Assemble "C" WASHER (8) and LOCKNUT (9) onto threads of SPOUT SHANK (7) from underside of mounting surface. Fig. 1b.
- Align FAUCET (2) and tighten LOCKNUT (9). If installing DECK PLATE (3) hand tighten DECK PLATE SPIN NUTS (10) to secure FAUCET (2) to mounting surface. Fig. 1b.

Fig. 1a

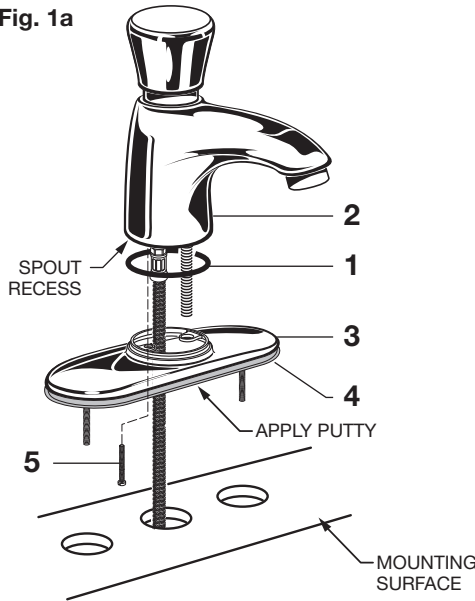
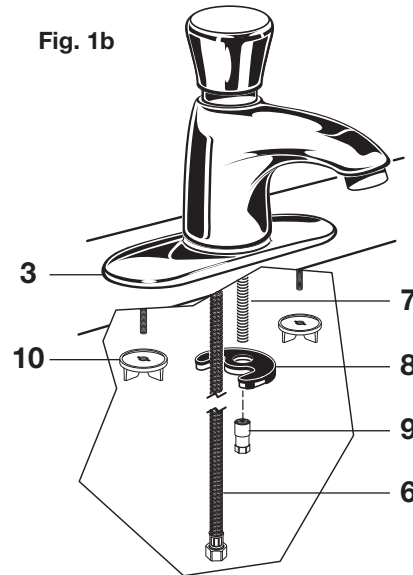
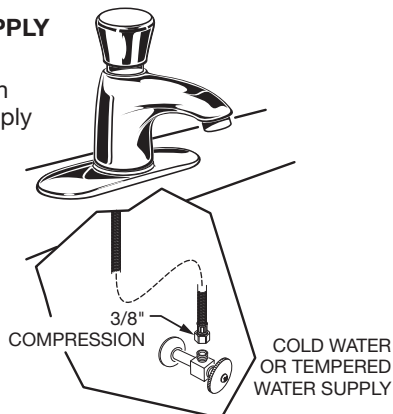


Fig. 1b



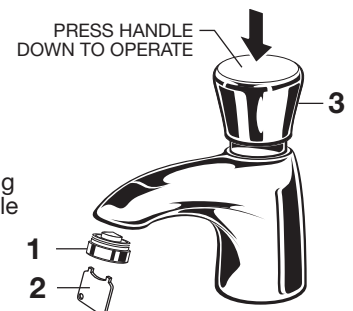
**2 CONNECT WATER SUPPLY**

- Connect 3/8" compression coupling nut on fitting supply hose to cold water supply or tempered water supply.



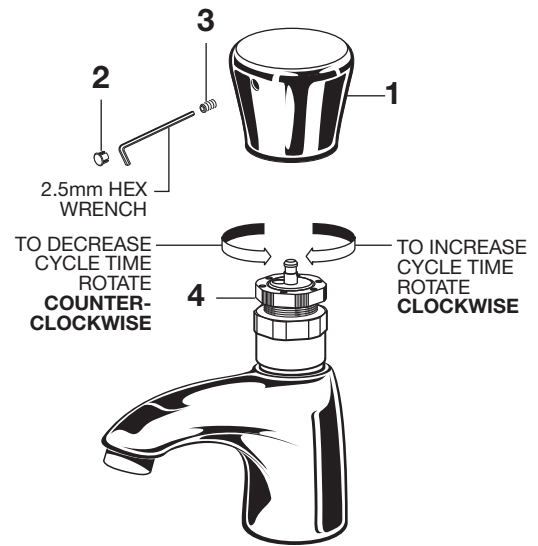
**3 TEST INSTALLED FITTING**

- Turn on water supplies and check connections for leaks.
- Remove AERATOR (1) with KEY (2) supplied.
- Operate FAUCET by pressing down on HANDLE (3). Handle is set for approximately 8 second operating cycle.
- Replace AERATOR (1).



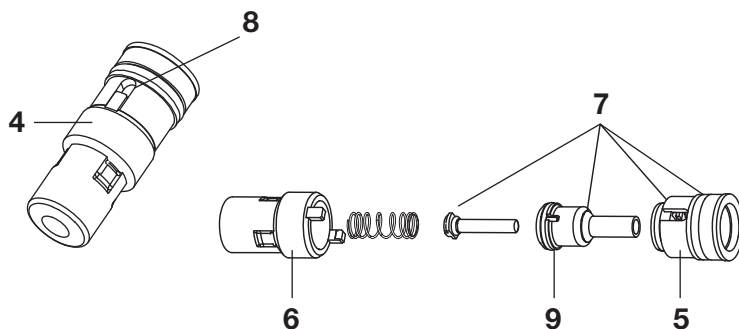
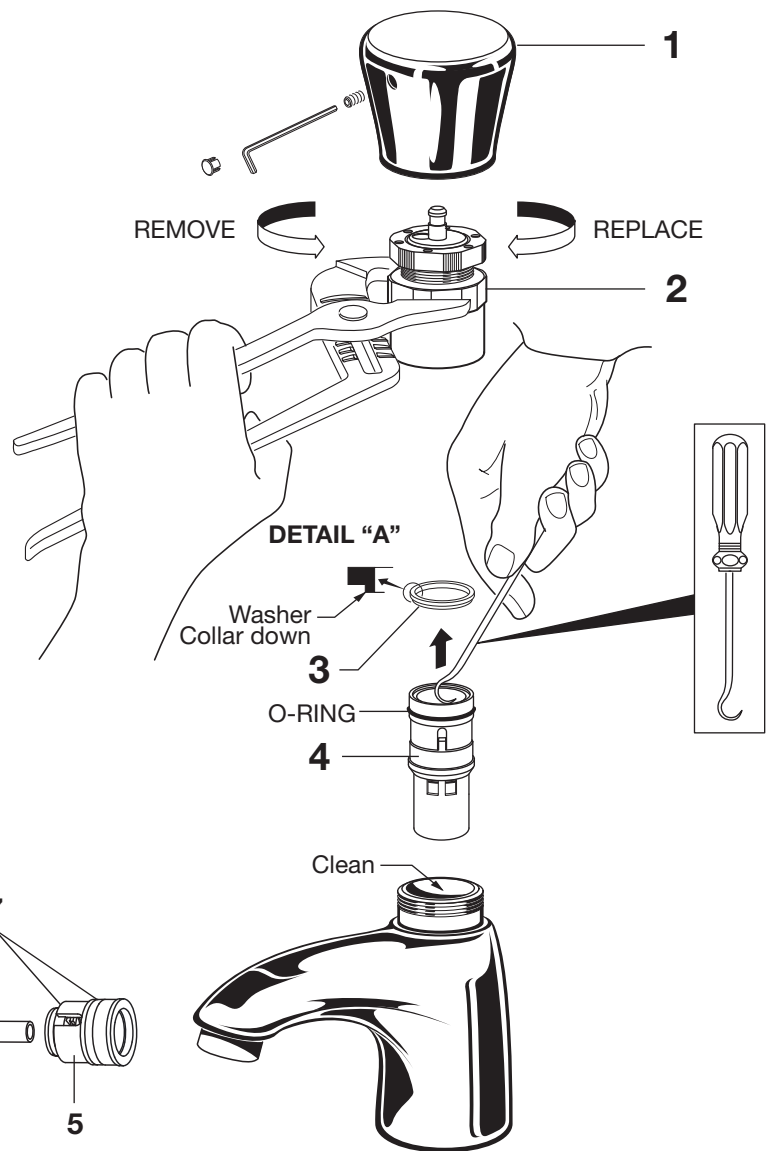
## 4 TO ADJUST CYCLE TIME

- Remove HANDLE (1) by removing INDEX BUTTON (2) and SET SCREW (3) with a 2.5mm hex wrench.
- Pull off HANDLE (1).
- To increase cycle time, turn the white PLASTIC ADJUSTING NUT (4) **clockwise**.
- To decrease cycle time, turn the white PLASTIC ADJUSTING NUT (4) **counter-clockwise**.
- Replace HANDLE (1), SET SCREW (3) and INDEX BUTTON (2). Test faucet for proper operation and cycle time.



## 5 SERVICE

- Remove HANDLE (1). Refer to Step 3 for handle removal.
- Remove ACTUATOR ASSEMBLY (2).
- Remove WASHER (3). Use small Hook to pull out VALVE ASSEMBLY (4).  
**NOTE:** The tip of the hook must catch on SURFACE (8) to remove VALVE ASSEMBLY (4). Moderate force is required. If the hook is too deep it will not remove VALVE ASSEMBLY (4).
- Open VALVE ASSEMBLY (4) by pulling VALVE BODY TOP (5) off of VALVE BODY BOTTOM (6).  
**NOTE:** There are three internal pieces including a spring. Take caution not lose these components while opening the valve body.
- Ensure that O-RINGS (7) are free of any debris. Remove O-RING (9), clean thoroughly, and ensure the groove beneath is free of debris. Reinstall O-RINGS (9).
- Reassemble VALVE ASSEMBLY (4) by pressing VALVE BODY TOP (5) on to VALVE BODY (6) until they lock with an audible snap.
- Push VALVE ASSEMBLY (4) into faucet body. Place WASHER (3) with collar facing down on top of VALVE ASSEMBLY (4). **See detail "A"**. Thread VALVE ACTUATOR (2) onto faucet. Torque VALVE ACTUATOR (2) to 12-15 ft. lbs (15-20 Nm).
- Replace HANDLE (1).



### CARE INSTRUCTIONS:

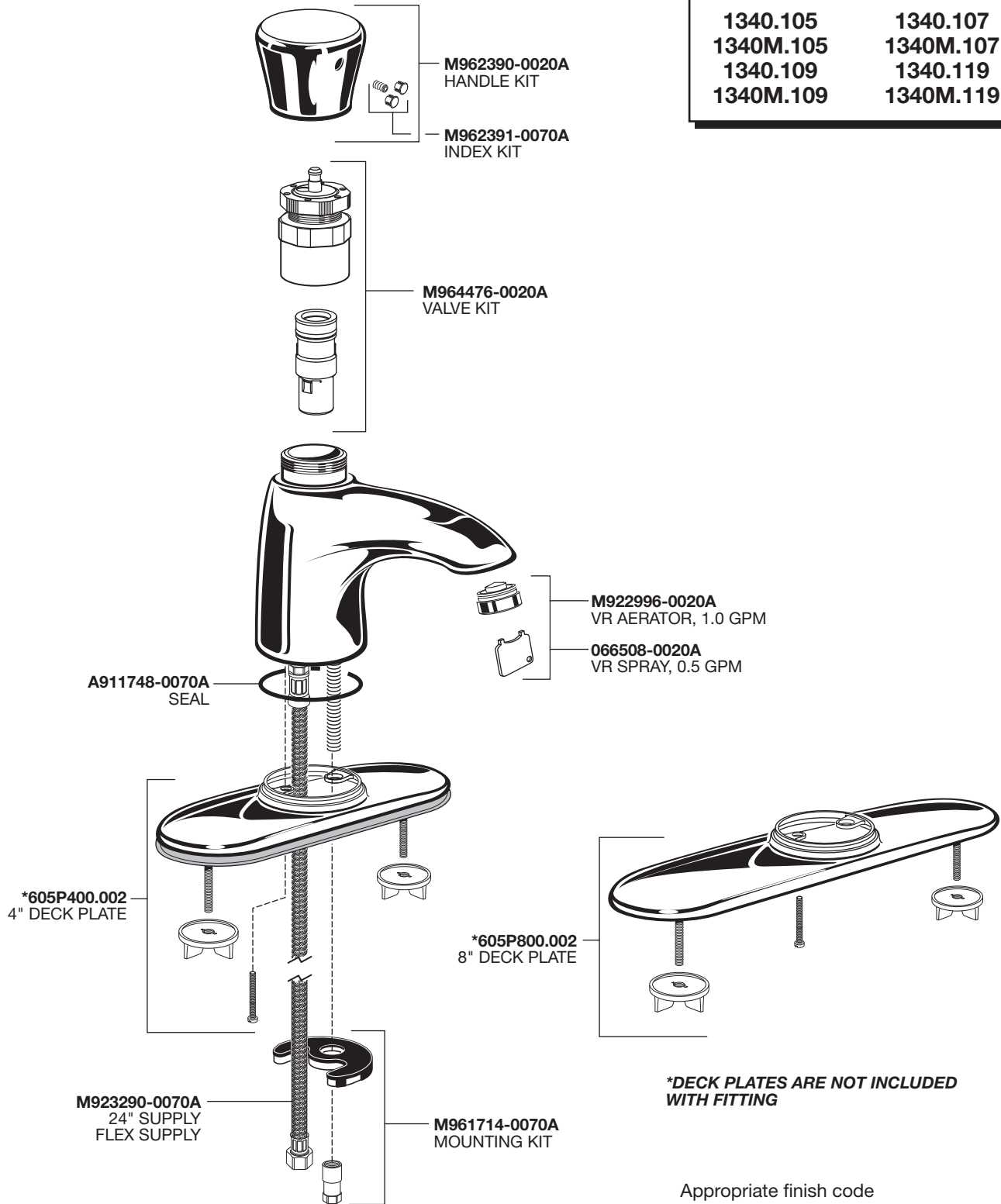
**DO: SIMPLY RINSE THE PRODUCT CLEAN WITH CLEAR WATER. DRY WITH A SOFT COTTON FLANNEL CLOTH.**

**DO NOT: CLEAN THE PRODUCT WITH SOAPS, ACID, POLISH, ABRASIVES, HARSH CLEANERS, OR A CLOTH WITH A COARSE SURFACE.**

**METERING  
Pillar Tap Faucets**

PRODUCT NUMBER

1340.105	1340.107
1340M.105	1340M.107
1340.109	1340.119
1340M.109	1340M.119



**HOT LINE FOR HELP**

For toll-free information and answers to your questions, call:  
 1 (800) 442-1902  
 Mon. - Fri. 8:00 a.m. to 8:00 p.m. EST  
 Saturday 10:00 a.m. to 4:00 p.m. EST  
 IN CANADA 1-800-387-0369  
 (TORONTO 1-905-306-1093)  
 Weekdays 8:00 a.m. to 7:00 p.m. EST  
 IN MEXICO 01-800-839-1200



Product names listed herein are trademarks of AS America, Inc.  
 © AS America, Inc. 2021

PART OF **LIXIL**