



Features:

- Fits most tubs 14" to 16" high
- 1-1/2" brass tubing in 17 and 20 Gauges
- Patented adjustable self-retaining rubber head gasket
- Patented pre-adjustable linkage
- Cast brass pop-up and shoe plug
- Heavy duty, highly polished face plate
- Extra long plunger stroke
- Heavy duty cast red brass head, tee and shoe
- Cast red brass coupling nuts supplied with 17 Gauge Tubing
- Plated zinc coupling nuts supplied with 20 Gauge tubing
- Partially assembled in carton
- Compartmentalized packaging
- Available in Chrome only

Technical Specifications:

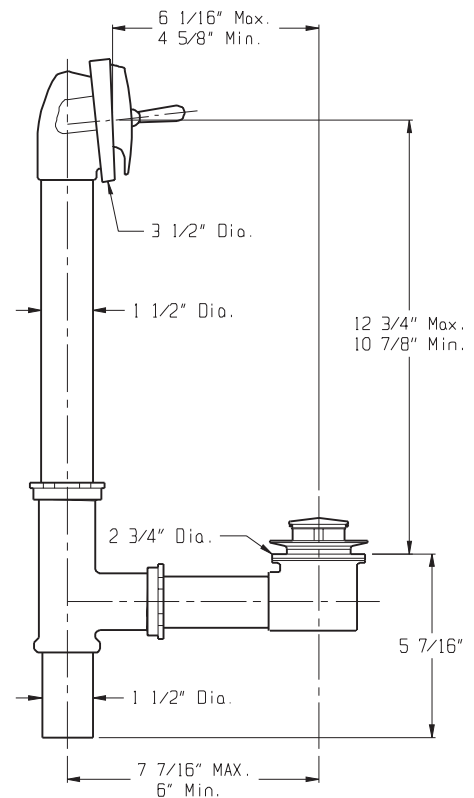
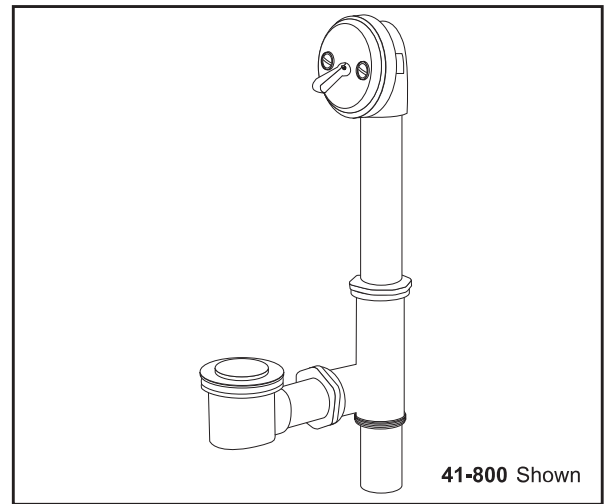
- IAPMO/cUPC

Catalog Numbers:

- 41-800** 17 Gauge (Chrome), Brass Nut
- 41-800-70-88** 17 Gauge (Chrome), Retaining Ring
- 41-805** 20 Gauge (Chrome), Plated Zinc Nuts
- 41-805-87** 20 Gauge (Chrome), Plated Zinc Nuts, Horizontal Outlet

Suffixes Available:

- 70** Female Outlet Tee
- 87** Horizontal Installation (Excluding Trip Lever & Plastic)
- 88** "Clean-out Here" on Face Plate w/Retaining Ring (Chicago Code Chrome Only)



Job Name	
Date	
Model Specified	
Quantity	
Customer	
Contractor	
Architect/engineer	