

Features:

- Fits most tubs 14" to 16" high
- 1-1/2" brass tubing in 17 and 20 Gauges
- Patented adjustable self-retaining rubber head gasket
- Cast brass shoe plug
- Heavy duty cast red brass head, tee and shoe
- Cast red brass coupling nuts supplied with 17 Gauge Tubing
- Plated zinc coupling nuts supplied with 20 Gauge tubing
- Partially assembled in carton
- Compartmentalized packaging
- Available in Chrome, Polished Brass, White, Biscuit and Brushed Nickel

Technical Specifications:

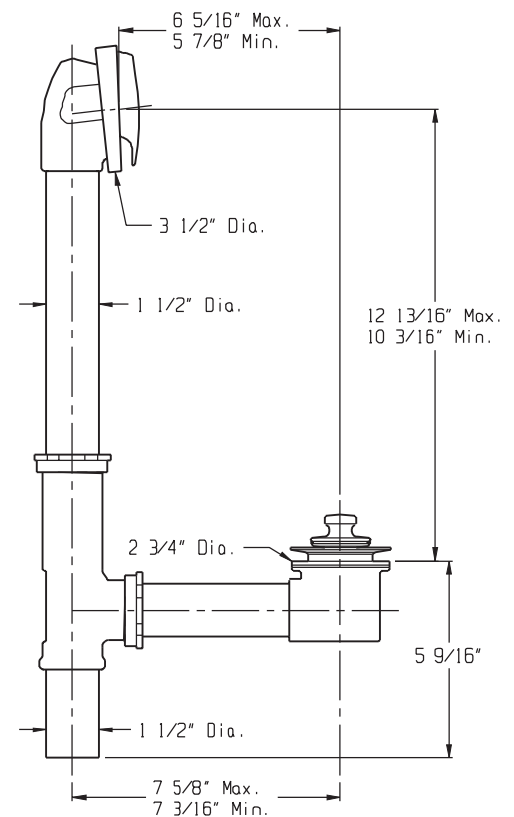
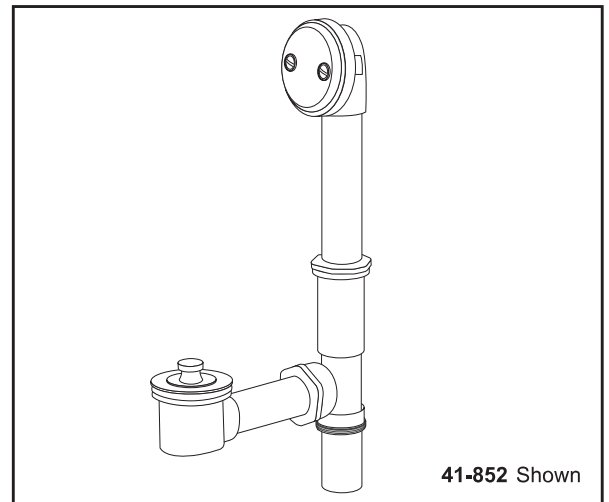
- CSA B125-93

Catalog Numbers:

- 41-852** 17 Gauge (Chrome)
- 41-858** 20 Gauge (Chrome)
- 81-857** 17 Gauge (Polished Brass)
- A1-851** 17 Gauge (Biscuit)
- N1-852** 17 Gauge (Brushed Nickel)
- W1-851** 17 Gauge (White)

Suffixes Available:

- 35 2" Longer Shoe Tube (Excluding Pop-up)
- 70 Female Outlet Tee
- 71 Philadelphia Trap (3 Nuts & Washer, Less TailPiece)
- 72 Condensate Head (3/4" Inlet)
- 75 Brass Ferrules
- 76 Retaining Ring (Compliance w/Chicago Code In Special Finishes)
- 77 6" Tailpiece
- 78 10" Tailpiece
- 79 12" Tailpiece
- 88 "Clean-out Here" on Face Plate w/Retaining Ring (Chicago Code Chrome Only)
- 91 Brass Nuts in Place of Brass-Plated Nuts (Std On 17 Ga)



Job Name	
Date	
Model Specified	
Quantity	
Customer	
Contractor	
Architect/engineer	

GERBER®

PROFESSIONAL PERFORMANCE

Gerber Toll Free Technical Support: 888-648-6466
www.gerberonline.com