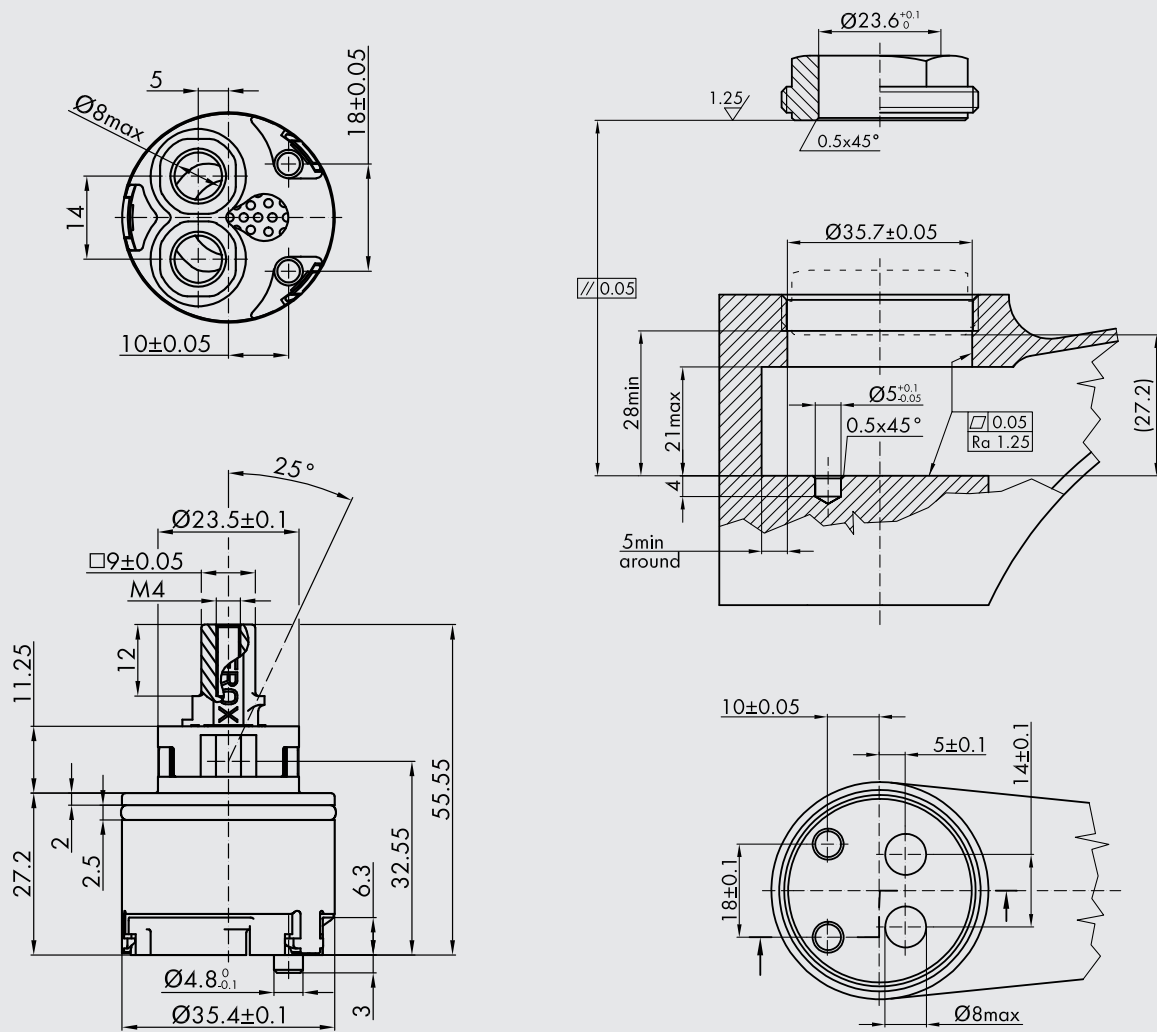


K-35OP

CERAMIC MIXING CARTRIDGE
CONVENTIONAL SINGLE-LEVER TYPE
35 MM SIZE



CARTRIDGE

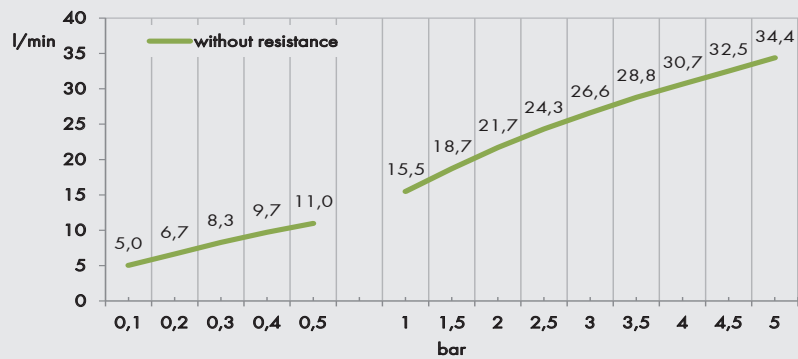
BODY



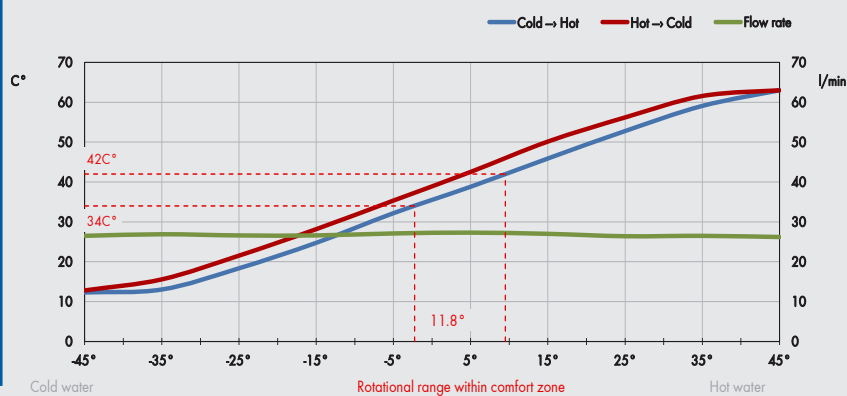
K-35OP

CERAMIC MIXING CARTRIDGE
CONVENTIONAL SINGLE-LEVER TYPE
35 MM SIZE

FLOW RATE CURVE



FLOW RATE & HYSTERESIS CURVES



General requirements for nut and faucet:

1. Made of solid metal material instead of plastic
2. Usage of any lubricant on threads is not allowed
3. No sharp or burry sections at sealing surfaces
4. Recommended tightening torque is relevant to brass-brass connection with 1.5 mm thread pitch.

